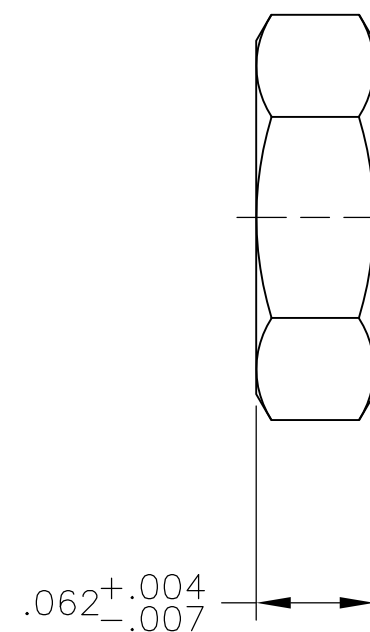
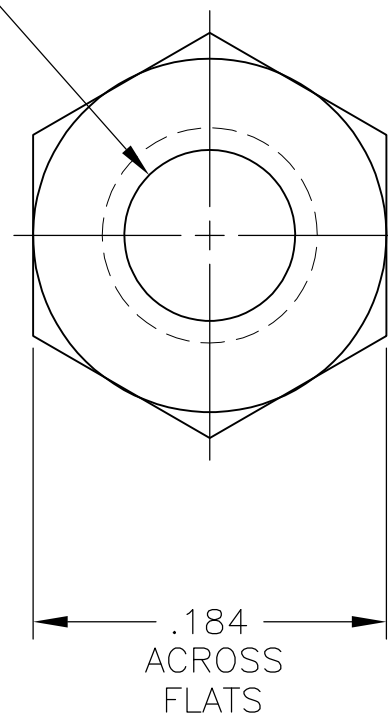


THIS DRAWING IS UNPUBLISHED. RELEASED FOR PUBLICATION
 © COPYRIGHT BY TYCO ELECTRONICS CORPORATION. ALL INTERNATIONAL RIGHTS RESERVED.

LOC	DIST	REVISIONS					
GP	00	P	LTR	DESCRIPTION	DATE	DWN	APVD
			0	ORIGINAL	12APR2012	CJV	CWR

- ① ZINC PLATED .000200-.000400 THICK, YELLOW CHROMATE COATING.
- ② ZINC PLATED .000200-.000400 THICK, CLEAR CHROMATE COATING.

#4-40 THREAD



②	5205821-3
①	5205821-2
FINISH	PART NUMBER

THIS DRAWING IS A CONTROLLED DOCUMENT.		DWN	C. VALENTINE	12APR2010	Tyco Electronics Corporation Harrisburg, PA 17105-3608			
DIMENSIONS: INCHES		CHK	C. ROHDE	12APR2012				
TOLERANCES UNLESS OTHERWISE SPECIFIED:		APVD	C. ROHDE	12APR2012	NAME			
0 PLC ± - 1 PLC ± - 2 PLC ± - 3 PLC ± .005 4 PLC ± - ANGLES ± -		PRODUCT SPEC		#4-40 HEX NUT, AMPLIMITE				
MATERIAL		APPLICATION SPEC		SIZE		CAGE CODE	DRAWING NO	RESTRICTED TO
COLD ROLLED STEEL		FINISH		A3		00779	G-5205821	-
SEE TABLE		CUSTOMER DRAWING		SCALE		10:1	SHEET	1 OF 1
							REV	0